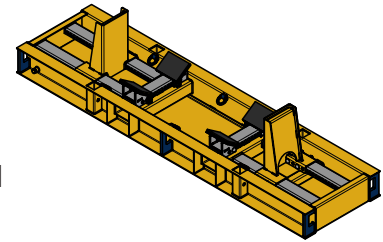


IMPORTANT NOTICE - DISCLAIMER AND EXCLUSION - PLEASE CAREFULLY READ

- *The information in this guide is not a product of warranty. To the maximum extent allowed by law, none of Omni-tuff Group Pty Ltd, all companies related to it, and the officers, employees and agents of any of them (“**Omni-tuff Parties or Engistics Parties**”) will be liable for any act or omission that is said to give rise to any form of damages or loss of profit or interest or cost claims for any form of personal injury, property damage or consequential loss or claims arising from a death made by any person or entity arising from use of this Guide or any product displayed in it.*
- *All readers and users of this Guide are responsible for the correct use of the products displayed in it according to the individual conditions and requirements of any piece of equipment or other thing placed on them.*
- *No Omni-tuff Parties will be liable for any loss or damage of any form arising from use of the products displayed in this Guide which use does not comply with/or falls outside the scope of this Guide.*
- *This Guide is certified to comply with the requirements stipulated in the Performance Standards specified in Schedule 7 of the Heavy Vehicle (Mass, Dimension and Loading) National Regulation 2018. Certification provided by RPEQ 21522, for Omni-tuff Group Pty Ltd. Compliance can only be achieved when all aspects of this Guide are adhered to in full by a user. Additional requirements may be necessary under some conditions that are outside the scope of this certification. In those circumstances you must contact Omni-tuff Group Pty Ltd before using any product displayed in this Guide.*
- *No changes to that certification are permitted unless first approved in writing by both Omni-tuff Group Pty Ltd and Engistics Pty Ltd.*
- *Any deviation from this Guide must first be approved in writing by Omni-tuff Group Pty Ltd and Engistics Pty Ltd.*
- *Copyright in the entirety of this document and any modifications or adaptations or variations to it at any time in the future remains the sole property of Omni-tuff Group Pty Ltd. It must not be reproduced in any material form and whether in hard copy or electronically except as permitted in writing by Omni-tuff Group Pty Ltd.*

This Guide

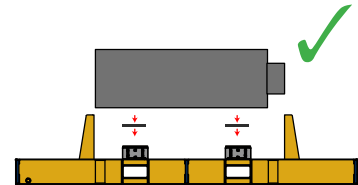
- Covers cylinders secured to a Daywalk steel pallet (SKU 13-PSCS2700/700/3T) and transported by road in Australia
- Meets the requirements of the Performance Standard forces specified in Schedule 7 of the Heavy Vehicle (Mass, Dimension and Loading) National Regulation 2018
- Cylinders weighing up to 3000kg and up to 600mm in diameter. Larger and/or heavier cylinders must be assessed separately



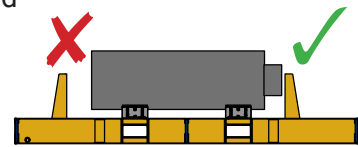
Daywalk Small Cylinder Pallet

Key Elements

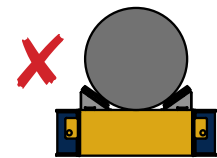
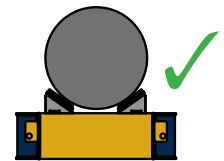
- ✓ Equipment (e.g. pallet, stacking legs, pins, chocks & rubber) must be in good working order and assessed by the User as fit for use
- ⚠ Damaged pallets should be inspected by a competent person to confirm their structural capacity before use
- ✓ Place rubber with minimum coefficient of friction of 0.6 and minimum load capacity of 6.0 N/mm² between the cylinder and each chock
- ✓ Rubber must have capacity to withstand load without failing (i.e. crushing, tearing or disintegrating etc.)
- ✓ Rubber should be inspected prior to use of the pallet. If noticeable wear and tear is present, rubber should be removed and replaced
- ✓ No low friction surfaces (i.e. steel on steel)
- ✗ Webbing straps must be 50mm, compliant to AS4380 and pre-tensioned to 300kg
- ✓
- ✓ Chains must be 8mm, compliant to AS4344 and pre-tensioned to 1000kg
- ✓ Position the chocks such that the cylinder is raised off the rail and prevented from rolling out
- ✓ Position the end stops within 50mm of the ends of the cylinder
- ✓ Secure each chock with the pin supplied
- ✓ Centre of gravity (CoG) must be located between the chocking rails
- ✓ Pallets may be stacked two high for storage **ONLY** Do
- ✗ not transport pallets stacked



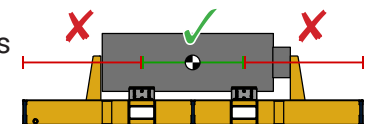
Rubber between cylinder and chocks



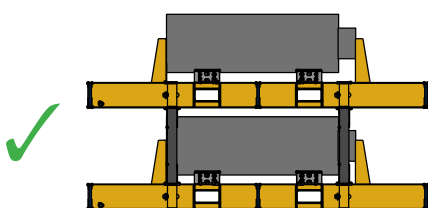
Position end stops within 50mm of cylinder



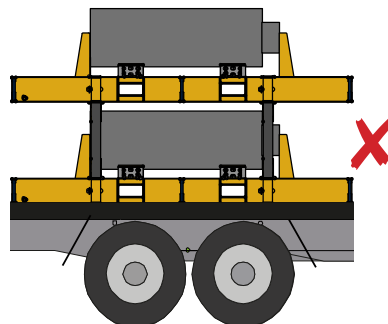
Ensure cylinder is raised off rail



CoG between chocking rails

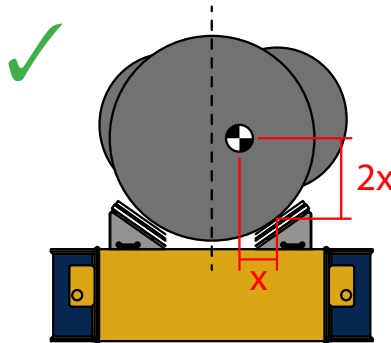


Stacked Pallets in Storage



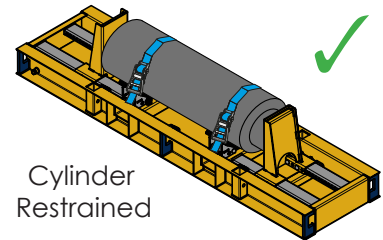
Key Elements (cont.)

- ✓ Maximum allowable CoG height is 2x the distance between the CoG and the contact point on the closest chock



Load Restraint

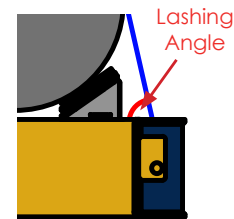
- ✓ Restrain the cylinder to the pallet with 50mm webbing straps per the quantities in Table 1 below



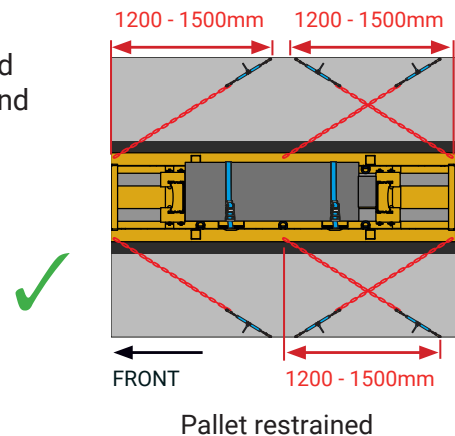
Cylinder Restrained

Table 1: Load Restraint of Cylinder to Pallet

Weight Lashing Angle	Number of Straps			
	15 - 30°	31 - 45°	46 - 60°	61 - 90°
0 - 1000kg	3	2	2	2
1001 - 2000kg	-	3	2	2
2001 - 3000kg	-	-	3	2



- ✓ Place rubber with minimum coefficient of friction of 0.6 and minimum load capacity of 6.0 N/mm² between the pallet and the deck
- ✓ Secure the pallet to the truck with 6 x 8mm chains in the arrangement shown



Pallet restrained